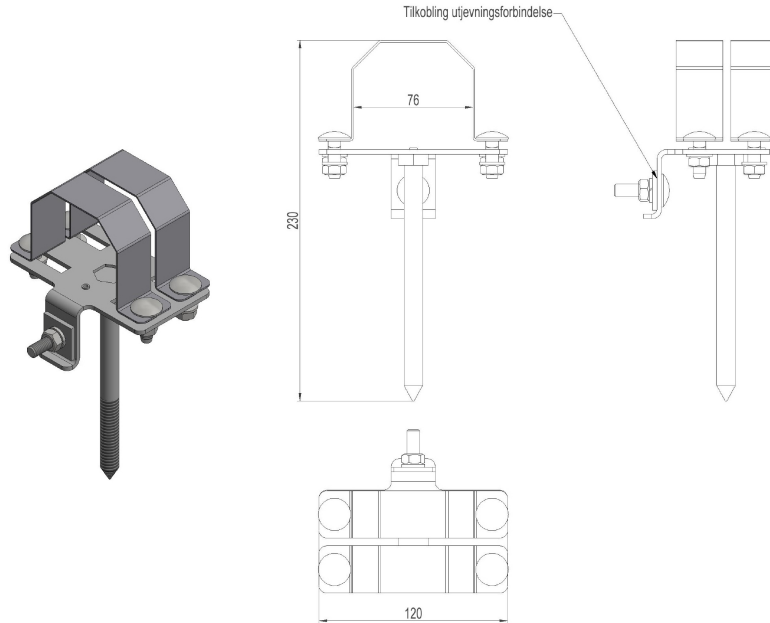


2857837 - Cable guard joint KANSK65V



Description	Joint for galvanized cable guard Ø65mm. Color galvanized.
Unit	PSC
Weight	0,8 kg
Material	Steel galvanized